



# Premier II Keypad & Universal RotoBolt

## UR40-50/55 DIA / DIA Pro

### FEATURES

- Battery: Accessible via a drawer at the keypad base
- Finishes: Black Velvet or Bright Chrome (ABS), Satin Chrome (metal)
- Enhanced Visibility: Built-in LED lights for use in low-light conditions

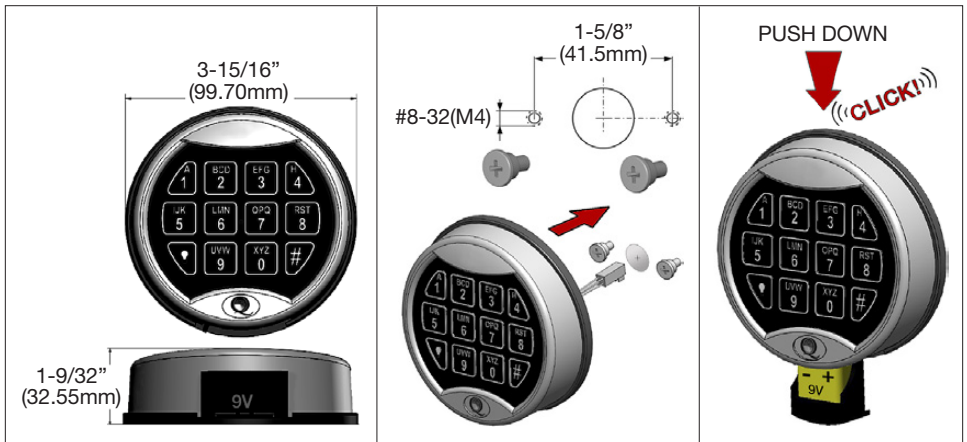
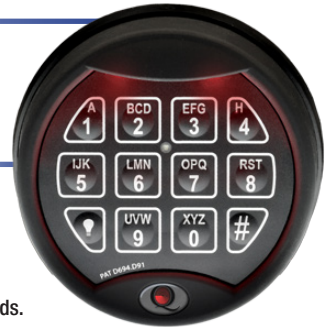
### DIMENSIONS / MOUNTING INSTRUCTIONS

Cable hole diameter: 3/8" (.953mm) minimum

The hole must be properly deburred to avoid cable damage

The PI80 may be mounted on horizontal (9 & 3 o'clock) or vertical (12 & 6) studs.  
 Affix the two #8-32 (or M4) mounting studs to the safe door.  
 Pull down the battery drawer at the bottom of the keypad housing.  
 Feed the cable through the cable/spindle hole on the safe door, then slide the keypad over the #8-32 (or M4) mounting studs and push down until it snaps on with a distinct "click."  
 Insert a 9V battery and close the battery drawer.

Use ONLY Energizer or Duracell Alkaline or Lithium 9 Volt batteries.



**PI80-Nx Works With:**

<b>UR20</b> Universal RotoBolt	<b>EM20</b> Large RotoBolt	<b>EM30</b> MotorDrive Lock



# Universal RotoBolt

## UR40-50/55 DIA / DIA Pro Instructions

PATENT PENDING



Certification Upgrade to **UR20-50/55**

### Works With:



Premier  
PI20Nx or Dx



Premier II  
PI80-Nx



THinPut  
TH20-D6

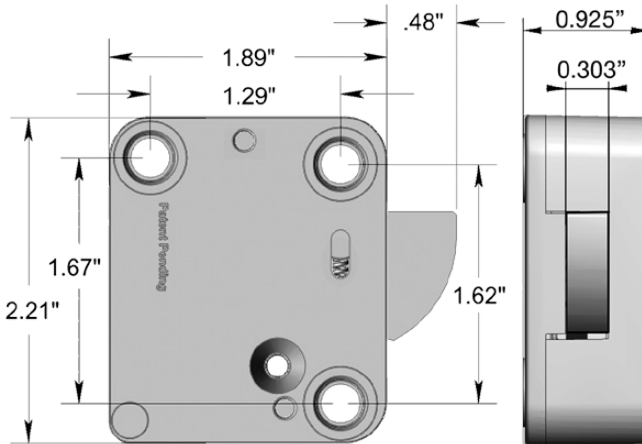


EasyTouch  
ET20-Nx



QuickTouch  
QT20-N3

### Universal RotoBolt Dimensions (Imperial)



UL Type 1  
VdS EN1300 Class B



QSecurityProducts.com • Nicholasville, Kentucky 40356 • 859.241.2063

QKit QKU50Nx INSTRUCTIONS • Rev. 2603 • © 2026 QSecurity Industries

# Universal RotoBolt

## UR40-50/55 DIA / DIA Pro Instructions

PATENT PENDING

### FEATURES

The UR40•50 DIA features a 6-digit Manager code which can be used to activate or delete up to 9 User codes. The UR40•55 DIA Pro features 8-digit code length, 1 Manager, 1 Master (optional) and up to 39 User codes. Selectable features include Dual Control and Time Delay.



### MOUNTING INSTRUCTIONS

The UR40•50/55 may be mounted either RH, LH, VU or VD or it may be flipped over to block a reversed boltwork design. Insert the connector from the keypad into the lock receiver. Ensure that the connector is fully seated. To remove the connector, carefully lift and pull away from the lock body.

Use only the supplied ¼-20 (or M6) screws to mount the lock. Tighten the screws securely so the lock body is firmly attached to the flat mounting surface. Use of screw locking glue (i.e. Loctite) is recommended. Secure cables away from moving parts.

### ELECTRONICS TEST

Like all of our Locks, the RotoBolt includes Function 5 - a unique feature to test for proper functioning of the electronics:

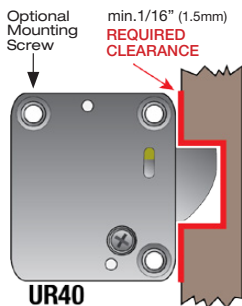
- Press and hold 5 until double beep and the LED stays on
- Enter all keys in numerical sequence: 1-2-3-4-5-6-7-8-9-0
- A double beep at each key press indicates that the lock and keypad are communicating and performing properly.
- A long signal indicates a fault that can likely be corrected by replacing the keypad.

### FUNCTIONAL TEST (With door OPEN)

Enter code (factory code = 1 OR 5-5-5-5-5-5), double beep = valid entry

- Turn boltwork handle to OPEN position
- The bolt rotates into the lock housing
- The bolt must move freely
- Turn boltwork handle to the LOCKED position
- The bolt must fully extend and secure
- Ensure that there is a minimum of 1/16" clearance on all sides of the lock bolt when the safe boltwork is in the fully LOCKED position

**IMPORTANT:** Repeat the functional test several times before locking the safe door!



### BOLTWORK REQUIREMENTS

If the Rotobolt lock is used in conjunction with another lock, the boltwork must be constructed so that the Rotobolt secures first.

In the LOCKED position, the distance between the Rotobolt lock bolt and the movable boltwork must be a minimum of 1/16" (1.5mm).

UL Type 1  
VdS EN1300 Class B



# Universal RotoBolt

## UR40-50/55 DIA / DIA Pro Instructions

PATENT PENDING

### GENERAL

A double beep follows entry of a valid code. A long beep follows entry of an invalid code. If 10 seconds elapse without a key press, the code entry will be cancelled. Entering a valid code starts a 3 second window for unlocking, allowing movement of the safe boltwork into the OPEN position. The RotoBolt automatically secures after moving the safe boltwork to the fully LOCKED position.



### OPERATION

Enter code (factory code = 1 OR 5-5-5-5-5), double beep = valid entry

Turn boltwork handle to the OPEN position

If not opened within 3 seconds, the lock re-secures automatically

If the first code entry fails, wait 10 seconds before re-entering

#### Locking / Status:

Close door and rotate handle to fully locked position

Verify locked/secure status by attempting to rotate handle

#### Manipulation Protection:

Upon entry of four consecutive invalid codes, the keypad is blocked and will not accept entries for 5 minutes. During this period, the LED flashes every 10 seconds and any key press causes a long beep. Upon expiration, the entry of two more invalid codes restarts the 5 minute blocking period.

#### Best Practices

**Change the factory code before you begin using the safe!** Securely store all codes.

Do not use personal data (i.e. birthdays, telephone numbers, etc.) as a code.

### LOW BATTERY INDICATION

**NOTE:** A series of beeps following code entry indicates a weak battery that must be replaced

Use ONLY Energizer™ or Duracell™ 9V ALKALINE or LITHIUM batteries

### DIA/DIA Pro FUNCTIONS

To change Codes (Function #0)

To activate User Codes (Function #1)

To disable/enable User Codes (Function #2)

To delete User Codes (Function #3)

Lock/Keypad functional test (Function #5)

Check User status (Function #7)

Set time delay parameters (Function #9)

For Complete DIA or DIA Pro Instructions,  
please refer to the appropriate Technical Reference Manual  
available at: [QSecurityProducts.com/Resources](https://QSecurityProducts.com/Resources)



To view our full line,  
product updates,  
instruction manuals  
and warranty

