

Large RotoBolt

EM20-50/55 DIA / DIAPro Instructions



Works With:



Premier
PI20-Nx



Premier II
PI80-Nx



THinPut
TH20-D6

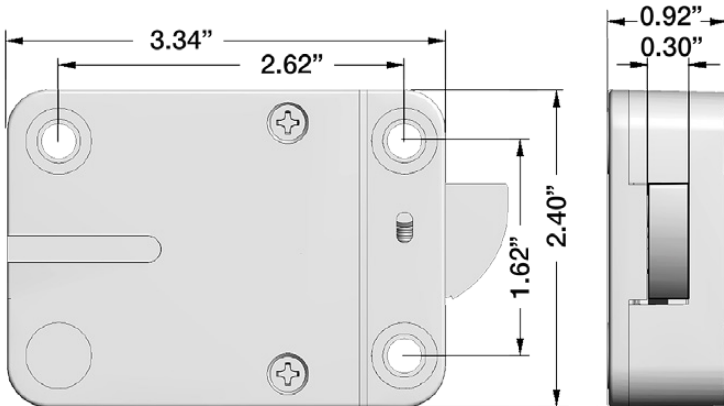


EasyTouch
ET20-Nx



QuickTouch
QT20-N3

Large RotoBolt Dimensions (Imperial)



UL Type 1
VdS EN1300 Class B



QSecurityProducts.com • Nicholasville, Kentucky 40356 • 859.241.2063

Large RotoBolt EM20-50/55 DIA / DIAPro INSTRUCTIONS • Rev. 2604 • © 2026 QSecurity Industries

Large RotoBolt

EM20-50/55 DIA / DIAPro Installation



FEATURES

The EM20-50 DIA features a 6-digit Manager code which can be used to activate or delete up to 9 User codes. The EM20-55 DIAPro features 8-digit code length, 1 Manager, 1 Master (optional) and up to 39 User codes. Selectable features include Dual Control and Time Delay. Options include alarm interface w/duress and remote code disable (w/optional alarm interface board).

MOUNTING INSTRUCTIONS

The EM20-50/55 may be mounted either RH, LH, VU or VD or it may be flipped over to block a reversed boltwork design. Mounting dimensions are industry standard. Insert the connector from the keypad into the outer lock housing receiver labeled ENT. Ensure that the connector is fully seated. To remove the connector, carefully lift and pull away from the lock body.

Use only the supplied 1/4-20 (or M6) screws to mount the lock. Tighten the screws securely so the lock body is firmly attached to the flat mounting surface. Use of screw locking glue (i.e. Loctite) is recommended. Secure cables away from moving parts.

ELECTRONICS TEST

Like all of our Locks, the RotoBolt includes Function 5 - a unique feature to test for proper functioning of the electronics:

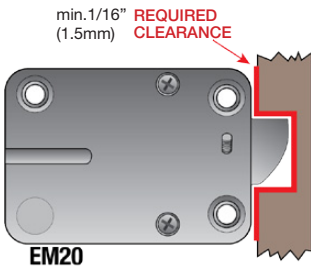
- Press and hold [5] until double beep and the LED stays on
- Enter all keys in numerical sequence: 1-2-3-4-5-6-7-8-9-0
- A double beep at each key press indicates that the lock and keypad are communicating and performing properly
- A long signal indicates a fault that can likely be corrected by replacing the keypad

FUNCTIONAL TEST (With door OPEN)

Enter code (factory code = 1 OR 5-5-5-5-5-5), double beep = valid entry

- Turn boltwork handle to OPEN position
- The bolt rotates into the lock housing
- The bolt must move freely
- Turn boltwork handle to the LOCKED position
- The bolt must fully extend and secure
- Ensure that there is a minimum of 1/16" clearance on all sides of the lock bolt when the safe boltwork is in the fully LOCKED position

IMPORTANT: Repeat the functional test several times before locking the safe door!



BOLTWORK REQUIREMENTS

If the Rotobolt lock is used in conjunction with another lock, the boltwork must be constructed so that the Rotobolt secures first.

In the LOCKED position, the distance between the Rotobolt lock bolt and the movable boltwork must be a minimum of 1/16" (1.5mm).

UL Type 1
VdS EN1300 Class B



Large RotoBolt

EM20-50/55 DIA / DIAPro Operation



GENERAL

A double beep follows entry of a valid code. A long beep follows entry of an invalid code. If 10 seconds elapse without a key press, the code entry will be cancelled. Entering a valid code starts a 3 second window for unlocking, allowing movement of the safe boltwork into the OPEN position. The RotoBolt automatically secures after moving the safe boltwork to the fully LOCKED position.

OPERATION

Enter code (factory code = [1] OR 5-5-5-5-5), double beep = valid entry

Turn boltwork handle to the OPEN position

If not opened within 3 seconds, the lock re-secures automatically

If the first code entry fails, wait 10 seconds before re-entering

Locking / Status:

Close door and rotate handle to fully locked position

Verify locked/secure status by attempting to rotate handle

Manipulation Protection:

Upon entry of four consecutive invalid codes, the keypad is blocked and will not accept entries for 5 minutes. During this period, the LED flashes every 10 seconds and any key press causes a long beep. Upon expiration, the entry of two more invalid codes restarts the 5 minute blocking period.

Best Practices

Change the factory code before you begin using the safe! Securely store all codes.

Do not use personal data (i.e. birthdays, telephone numbers, etc.) as a code.

LOW BATTERY INDICATION

NOTE: A series of beeps following code entry indicates a weak battery that must be replaced

Use ONLY Energizer™ or Duracell™ 9V ALKALINE or LITHIUM batteries

DIA/DIA Pro Functions

To change Codes (Function #0)

To activate User Codes (Function #1)

To disable/enable User Codes (Function #2)

To delete User Codes (Function #3)

Lock/Keypad functional test (Function #5)

Check User status (Function #7)

Set time delay parameters (Function #9)

Please refer to either DIA or DIAPro Technical Reference Manual for complete instructions.

Available at: QSecurityProducts.com/Resources



To view our full line,
product updates,
instruction manuals
and warranty



WHO is QSecurity?

QSecurity is owned by Clay Miller and April Truitt. Staff includes industry veterans Deanna DeBorde, Steve Robinson, Ellis Gibbs, Ryan Griffeth, Lisa Young & others and is ever expanding. QSecurity Products, QSecurity Education and QTactical are all divisions of QSecurity Industries, the parent company.

WHAT is QSecurity?

QSecurity is the new name for a decades-old security technologies and education company headquartered in Nicholasville, Kentucky. QSecurity began as Lockmasters, Inc.®, the locksmith education company founded by Harry C. Miller, Jim Taylor and Leonard Singer in 1955. Clay Miller and his team took over operations from Harry Miller in 1981, expanding into tool and equipment sales to the trade in 1982. The following decade saw the birth of LockNet, SAVTA and the X0-7. In 2005, Mark Miller took over the tool & equipment division, moving it into a purpose-built location just up the road on John Watts Dr. Ever eager for expansion, Mark subsequently took over the Lockmasters Education Division in 2013. Clay Miller and his engineering team remained in the S. Main Street location, focused on R&D for the clandestine world as LTI: Lockmasters Technologies, Inc. and QTactical. Just prior to his passing in 2020, Clay Miller's son Mark Miller sold Lockmasters to the Dominus Group. As a contingency of the sale, the Miller family was compelled to relinquish their rights to the Lockmasters trademark – FOREVER. LTI was forced to rebrand, and Q Security was born.

WHY QSecurity?

The Millers have long been loyal James Bond fans. Who doesn't remember "Q," the Quartermaster of MI6, the British Secret Service? One of the most enduring characters throughout the Bond franchise, Q headed up Q Branch, the R&D division which supplied Bond with a stunning array of offensive and defensive gadgets over the years. When a rebrand became inevitable, the incorporation of "Q" seemed a novel but logical choice.

WHERE is QSecurity?



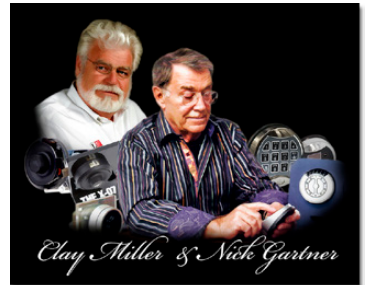
Over the years, Lockmasters, LSI and LTI have all called Nicholasville, Kentucky home. Naturally, Nicholasville is also now the headquarters for all QSecurity Industries divisions.

Conveniently located in the heart of the Bluegrass region, QSecurity is proud to have LockNet, Sargent & Greenleaf, Lockmasters and MBAUSA as local neighbors.

NL Lock - What's the connection?

Legendary inventors Nick Gartner and Clay Miller have worked both together and separately in the high-security safe lock industry since the late 1960s when Harry C. Miller hired Nick at Sargent & Greenleaf in Rochester, NY. Nick eventually left S&G to found LaGard, where he developed many industry firsts: the first electronic safe lock, the HPC 1200 key machine, the 2200 key lock for safes, the SmartGard, and many others.

With Nick's health declining, in early 2023 he and Clay Miller entered discussions regarding the future of NL Lock. In late August, they inked a deal to transfer the company assets to QSecurityIndustries, and on September 5, 2023, Nick passed away, knowing his brainchild had a secure future with an industry veteran and friend who would take his innovations forward.



QSecurityProducts.com

Nicholasville, Kentucky, USA 40356 • 859.241.2063