

Large RotoBolt

EM20-20 Instructions - Basic Board



Works With:



Premier
PI20•Nx



Premier II
PI80•Nx



ThinPut
TH20•D6

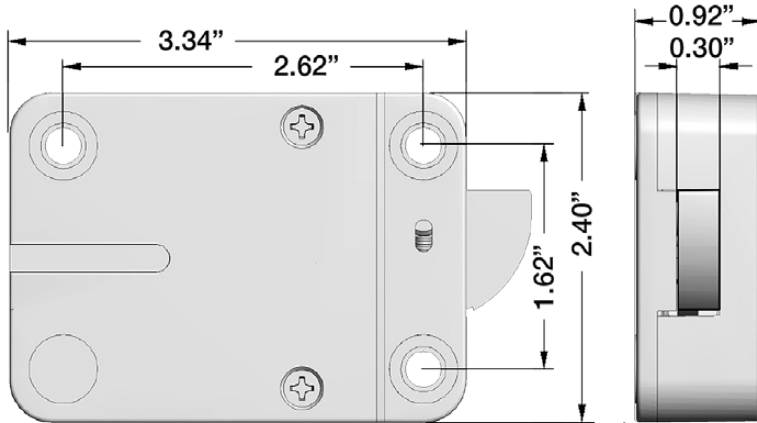


EasyTouch
ET20•Nx



QuickTouch
QT20•N3

Large RotoBolt Dimensions (Imperial)



UL Type 1
VdS EN1300 Class B



QSecurityProducts.com
Nicholasville, Kentucky, USA 40356 • 859.241.2063

Large RotoBolt

EM20-20 Installation - Basic Board



FEATURES

The EM20-20 features a user-changeable 6-digit Primary code which can be used to activate or delete a Secondary user code. Entering a valid code starts a 3 second window for unlocking, allowing movement of the safe boltwork into the OPEN position. The RotoBolt automatically secures after moving the safe boltwork to the fully LOCKED position.

MOUNTING INSTRUCTIONS

The EM20-20 may be mounted either RH, LH, VU or VD or it may be flipped over to block a reversed boltwork design. Mounting dimensions are industry standard. Insert the connector from the keypad into the outer lock housing receiver labeled ENT. Ensure that the connector is fully seated. To remove the connector, carefully lift and pull away from the lock body.

Use only the supplied 1/4-20 (or M6) screws to mount the lock. Tighten the screws securely so the lock body is firmly attached to the flat mounting surface. Use of screw locking glue (i.e. Loctite) is recommended. Secure cables away from moving parts.

ELECTRONICS TEST

Like all of our Locks, the RotoBolt includes Function 5 - a unique feature to test for proper functioning of the electronics:

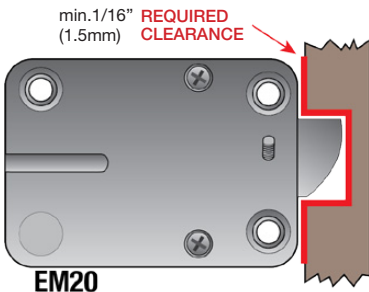
- Press and hold [5] until double beep and the LED stays on
- Enter all keys in numerical sequence: 1-2-3-4-5-6-7-8-9-0
- A double beep at each key press indicates that the lock and keypad are communicating and performing properly
- A long signal indicates a fault that can likely be corrected by replacing the keypad

FUNCTIONAL TEST (With door OPEN)

Enter code (factory code = 1-2-3-4-5-6), double beep indicates valid entry

- Turn boltwork handle to OPEN position
- The bolt rotates into the lock housing
- The bolt must move freely
- Turn boltwork handle to the LOCKED position
- The bolt must fully extend and secure
- Ensure that there is a minimum of 1/16" clearance on all sides of the lock bolt when the safe boltwork is in the fully LOCKED position

IMPORTANT: Repeat the functional test several times before locking the safe door!



BOLTWORK REQUIREMENTS

If the Rotobolt lock is used in conjunction with another lock, the boltwork must be constructed so that the Rotobolt secures first.

In the LOCKED position, the distance between the Rotobolt lock bolt and the movable boltwork must be a minimum of 1/16" (1.5mm).

UL Type 1
VdS EN1300 Class B



Large RotoBolt

EM20-20 Operation - Basic Board



GENERAL

The EM20-20 features a user-changeable 6-digit Primary code which can be used to activate or delete a Secondary user code. A double beep follows entry of a valid code. A long beep follows entry of an invalid code. If 10 seconds elapse without a key press, the code entry will be cancelled.

OPERATION

Enter code (factory code = 1-2-3-4-5-6), double beep indicates valid entry
Turn boltwork handle to the OPEN position
If not opened within 3 seconds, the lock re-secures automatically
If the first code entry fails, wait 10 seconds before re-entering

Locking / Status:

Close door and rotate handle to fully locked position
Verify locked/secure status by attempting to rotate handle

Manipulation Protection:

Upon entry of four consecutive invalid codes, the keypad is blocked and will not accept entries for 5 minutes. During this period, the LED flashes every 10 seconds and any key press causes a long beep. Upon expiration, the entry of two more invalid codes restarts the 5 minute blocking period.

Best Practices

Change the factory code before you begin using the safe! Securely store all codes.
Do not use personal data (i.e. birthdays, telephone numbers, etc.) as a code.

CHANGE CODE (With Safe Door OPEN)

Press and Hold [0] (double beep), then release

The LED remains on during the following actions:

- Enter old code (double beep)
- Enter new code (double beep) and repeat new code (double beep)
- Try new code
- In case of entry errors (long beep), the old code remains valid

ACTIVATE SECOND USER CODE

Press and Hold [1] (double beep), then release

The LED remains on during the following actions:

- Enter Primary code (double beep)
- Enter Secondary code twice (double beep)

NOTE: The Change Code method above is used to change either the Primary or the Secondary code. The Primary code is required to delete the Secondary code. The Primary code can be changed, but cannot be deleted.

DELETE SECOND USER CODE

Press and hold [3] (double beep), then release

The LED remains on during the following actions:

- Enter Primary code (double beep)
- The Secondary code is deleted

LOW BATTERY INDICATION

NOTE: A series of beeps following code entry indicates a weak battery that must be replaced
Use ONLY Energizer™ or Duracell™ 9V ALKALINE or LITHIUM batteries



Large RotoBolt

EM20-20 Time Delay - Basic Board



PROGRAMMING TIME DELAY • INITIAL SET-UP

Delay Range: 0-99 minutes

Open Window Range: 1-19 minutes

Press and Hold [9] (double beep), then release

The LED remains on during the following actions:

- Enter six-digit Primary code (double beep)
- Enter delay then open window times in two-digit values (double beep).
For Example: to program a 26 minute delay and 12 minute open window, enter: [2612]
- Re-enter new delay and open window times to confirm (double beep indicates valid operation and LED will go out)

NOTE: A long beep following any entry indicates an invalid or out of range entry.

OPEN WITH TIME DELAY ACTIVATED

Enter valid six-digit code: ex. 1-2-3-4-5-6 (factory code)

Beep and LED flash at each key press

If code is valid, (double beep) at last digit

Time delay counting starts, LED flashes every 2 seconds

When delay period elapses, open window period begins, indicated by LED flashes and beep sounds every 1 second

- Re-enter valid six-digit code
- If code is valid, (double beep) at last digit
- Within 3 seconds, turn handle to the OPEN position

CHANGING TIME DELAY VALUES

Begin time delay by entering a valid code

Once the delay period has elapsed and during the open window, press and hold [9] until the LED remains ON, then release

- Enter the six-digit Primary code (double beep), LED will remain ON
- Enter new delay and open window times in two-digit values (double beep)
- Re-enter new delay and open window times to confirm (double beep indicates valid operation and LED will go out)

NOTE: To cancel/remove time delay, enter [0001] during the open window

Decreasing the time delay period may be done only during the open window period



To view our full line of products, Warranty and other Instruction Manuals

